

SDI Audio Embed/Extract FPGA IP

The SDI Audio Extractor FPGA IP Core and the SDI Audio Embedder FPGA IP Core allow audio to be extracted/embedded in up to 16 channels.

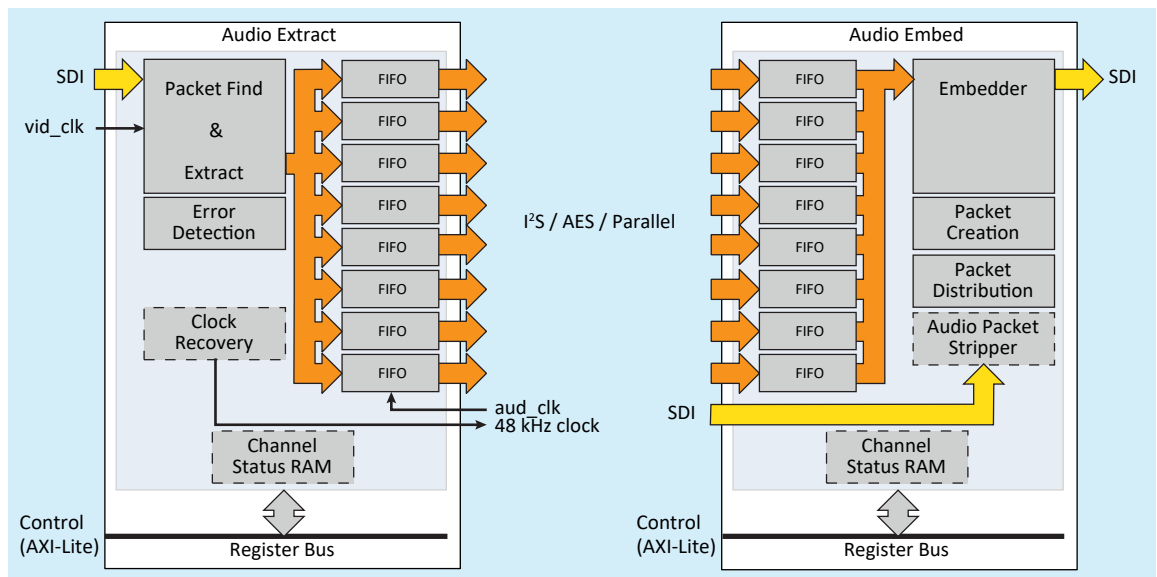


Figure 1. Functional block diagram of the SDI Audio Extract/Embed FPGA IP

Summary

The SDI Audio Extractor IP Core and the SDI Audio Embedder IP Core allows audio to be extracted/embedded in up to 16 channels.

The SDI Audio Extractor block is designed to extract audio delivered as SMPTE 272M packed data from SD-SDI and audio delivered as SMPTE 299M packed data from HD-SDI. The extracted audio may be output in either I2S Audio, AES Audio, or Parallel Audio format.

The Embed block allows audio to be embedded in up to 16 channels (8 channel pairs). The Extract block is designed to extract audio from a single channel pair but multiple blocks may be used together to extract the audio from

multiple channel pairs.

The audio embedded by the SDI Audio Embedder IP Core is formatted either in accordance with the SMPTE 272M standard (for SD video) or in accordance with the SMPTE 299M standard (for HD and for 3G video).

The input audio may be at any of the sample rates permitted by the above SMPTE standards and can be provided in either I2S Audio, AES Audio or Parallel Audio format. It can also be either synchronous or asynchronous to the video.

Operations in both IP Cores are setup with using registered accessed via the Register Bus.

Applications

The SDI Audio Extractor and SDI Audio Embedder FPGA IP Cores can be used in a range of applications including:

- SDI audio embedding and extraction
- SDI audio editing
- SDI audio monitoring and analysis



Key Features

- Audio Embed/Extract firmware
- Handle audio conforming to SMPTE 272M (SD) or SMPTE 299M (HD/3G), presented as I2S Audio, AES Audio or Parallel Audio
- Support all sample rates permitted by the SMPTE standards
- SDI Audio Embedder IP Core handles up to 16 channels (8 channel pairs); Extract block handles one channel pair but multiple blocks can be used together to handle the required number of channels
- Embed Block able to strip out existing audio
- SDI Audio Embedder IP Core includes sine generator for test purposes
- Information reported by Extract Block includes which audio groups and control packets have been detected, a decode of the Audio Control Packet; and ancillary packet checksum, parity field and CRC error counts
- Both blocks controlled through set of slave registers accessed either through exposed ports or via optional register interface block



Intel provides these materials as-is, with no express or implied warranties.

All products, dates, and figures specified are preliminary, based on current expectations, and are subject to change without notice.

Intel, processors, chipsets, and desktop boards may contain design defects or errors known as errata, which may cause the product to deviate from published specifications. Current characterized errata are available on request.

Intel technologies' features and benefits depend on system configuration and may require enabled hardware, software or service activation. Performance varies depending on system configuration. No product or component can be absolutely secure. Check with your system manufacturer or retailer or learn more at <http://intel.com>.

Some results have been estimated or simulated using internal Intel analysis or architecture simulation or modeling, and provided to you for informational purposes. Any differences in your system hardware, software or configuration may affect your actual performance.

Intel and the Intel logo are trademarks of Intel Corporation in the United States and other countries.

*Other names and brands may be claimed as the property of others.